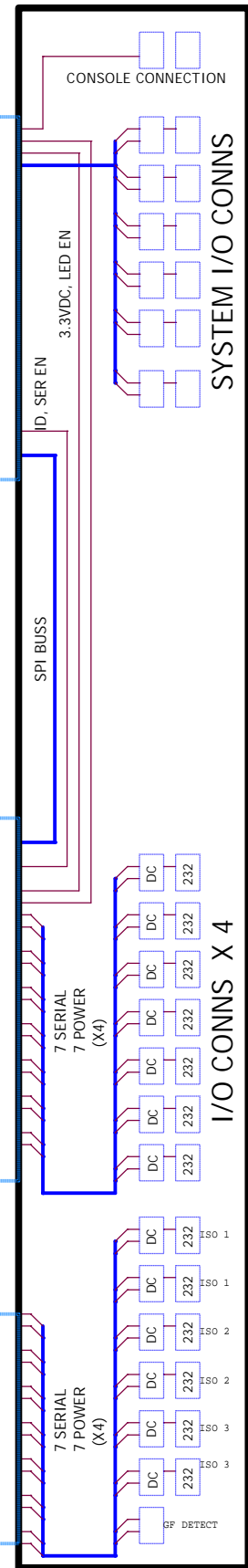
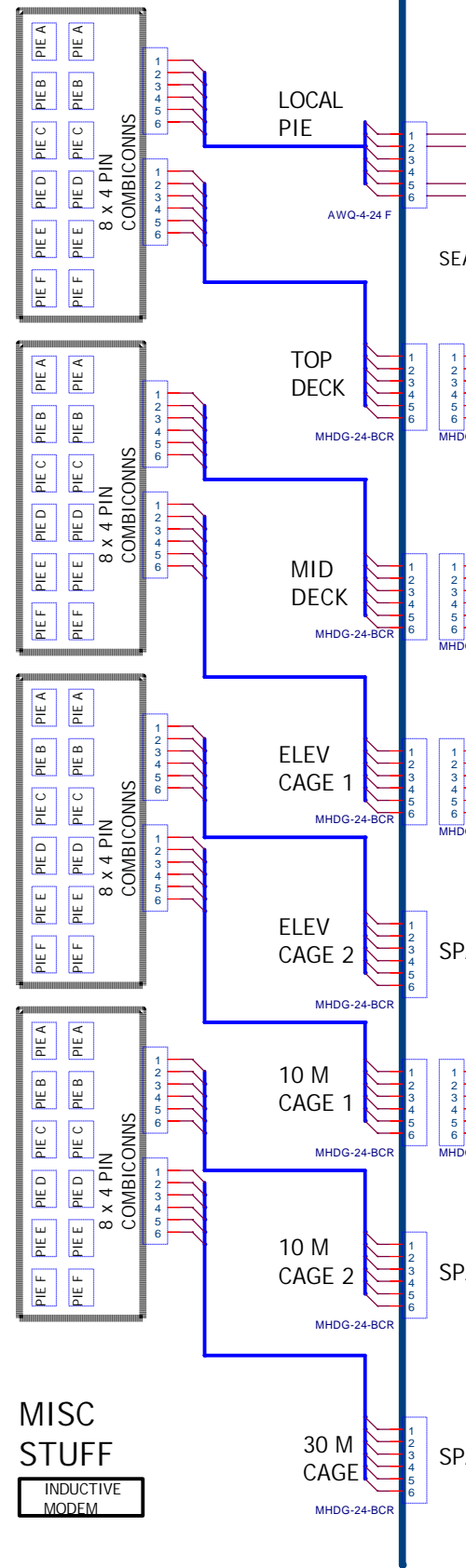


**BACKPLANE BOARD**



**WIRING**

**PIE CONNECTOR BOARD**

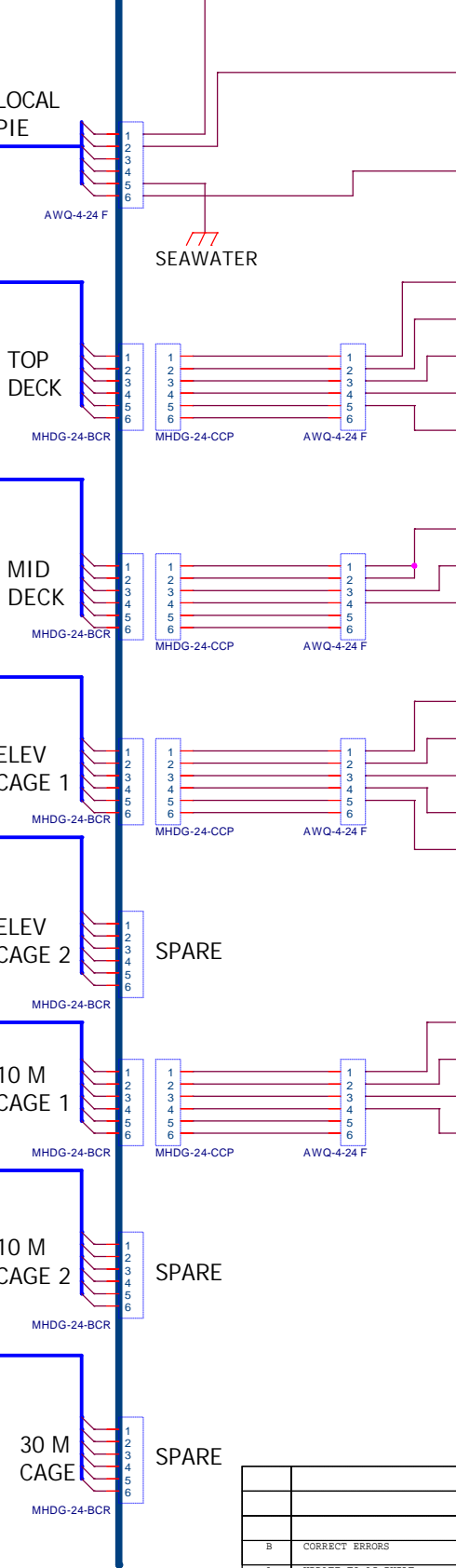


**MISC STUFF**

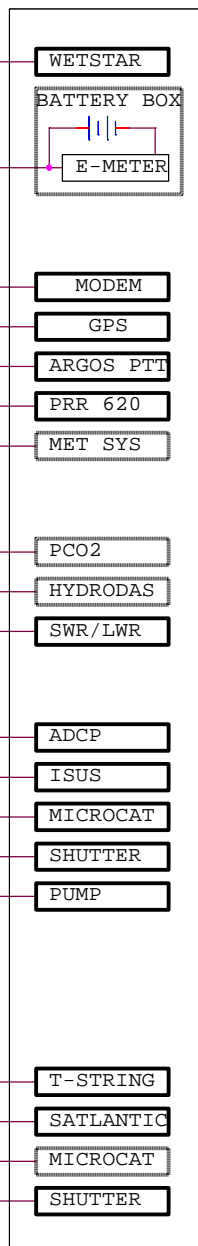
INDUCTIVE MODEM

**BULKHEAD**

CONSOLE 232 WAKE/RESET



**THE OUTSIDE WORLD**



4/22/03

NOTE: NOT ALL CONNECTIONS SHOWN

Title		
OASIS3 SYSTEM BLOCK DIAGRAM		
Size	Document Number	Rev
C	OASIS3.SCH	B
Date:	Tuesday, April 22, 2003	Sheet 1 of 1
B	CORRECT ERRORS	4/22/03
A	UPDATE TO AS BUILT	3/6/03