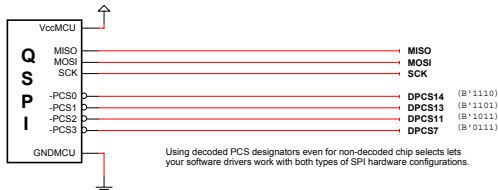
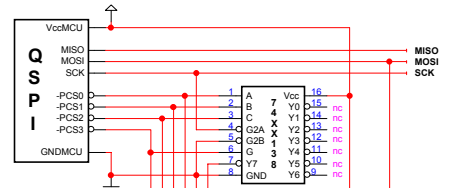


QSPI DECODING EXAMPLES

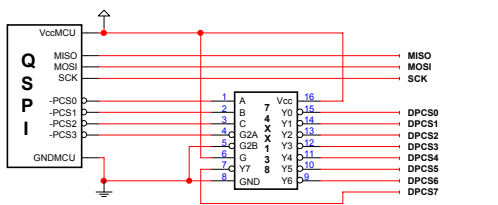
Simplest: 4 SPI Devices



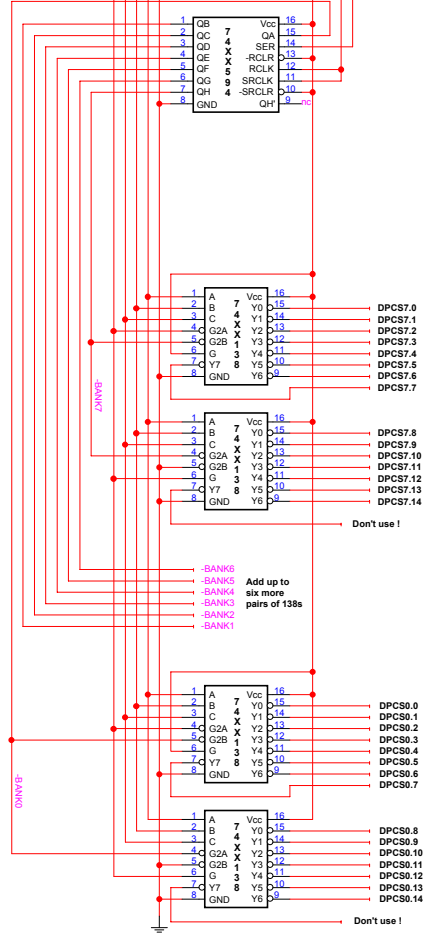
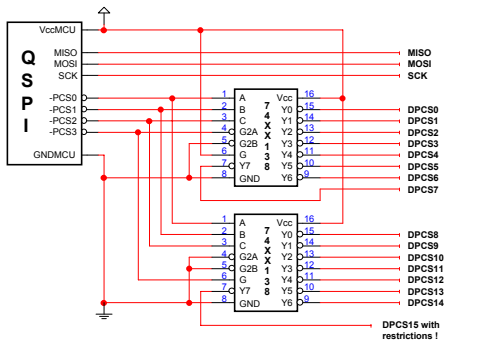
18 Chip: 120 SPI Devices !!!



One-chip: 8 SPI Devices



Two-chip: 15 SPI Devices



Print from Acrobat with "Fit to page" unchecked.

Persistor Instruments Inc.
© 2001, All rights reserved.